

GEO-FLO

FUSION FITTINGS CATALOG

Geo-Flo manufactures and supplies HDPE fittings and adapters for geothermal, water-source, and hydronic distribution piping. Geo-Flo's HDPE fittings are manufactured in compliance with ASTM D-2683, and produced with PE 4710 resin for superior slow crack growth resistance. These fittings are a reliable, high quality option for ground source heat exchange applications.

Fitting Types

PFT = Tee



PFL = Elbow



PFC = Coupling



PFTA = Tee-Adapter



PFLA = Elbow-Adapter



PFA = Adapter



PFP = Cap



PH = Fusion Header

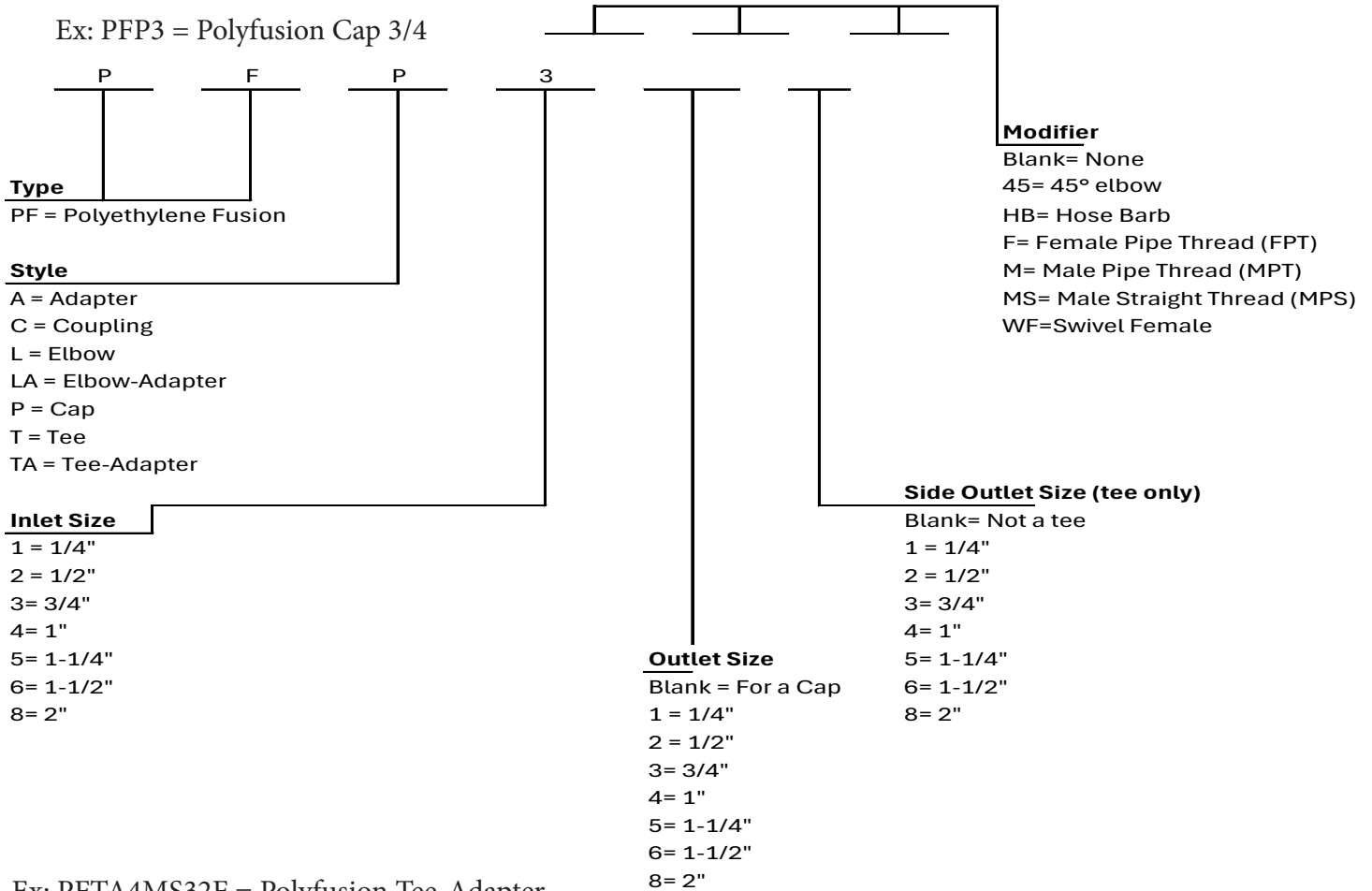


Geo-Flo's Part Numbers are based on 1/4" increments

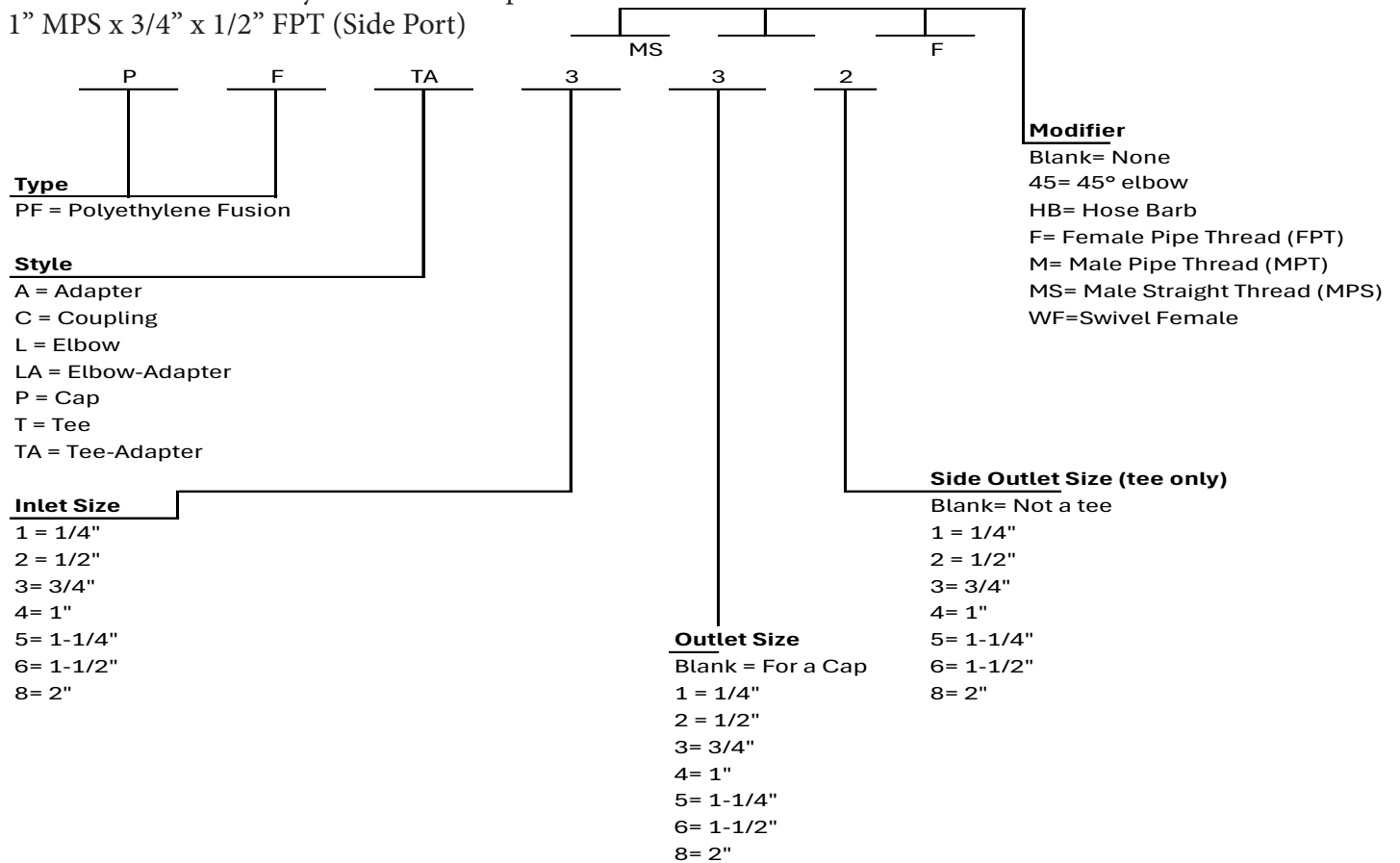
Ex: (1 = 1/4") , (2 = 1/2") , (3 = 3/4") , (4 = 1") , (5 = 1-1/4") , (6 = 1-1/2") , (8 = 2")

Nomenclature Examples

Ex: PFP3 = Polyfusion Cap 3/4



Ex: PFTA4MS32F = Polyfusion Tee-Adapter
1" MPS x 3/4" x 1/2" FPT (Side Port)



Fusion Adapters, MPT

Geo-Flo PN	Description ¹	Order Min/Mult ²	Brand ^{3,4}
PFA33M	3/4" x 3/4" MPT	25	GF Central/GEO-FLO
PFA34M	3/4" x 1" MPT	25	GEO-FLO
PFA43M	1" x 3/4" MPT	25	GEO-FLO
PFA44M	1" x 1" MPT	25	GEO-FLO
PFA44M-N	1" x 1" MPT, NUPI	25	NUPI ELOFIT
PFA53M	1-1/4" x 3/4" MPT	25	GF Central/GEO-FLO
PFA54M	1-1/4" x 1" MPT	25	GEO-FLO
PFA54M-CV	1-1/4" x 1" MPT w/ Check Valve	25	GEO-FLO
PFA55M	1-1/4" x 1-1/4" MPT	25	GEO-FLO
PFA64M	1-1/2" x 1" MPT	10	GEO-FLO
PFA66M	1-1/2" x 1-1/2" MPT	10	NUPI ELOFIT
PFA85M	2" x 1-1/4" MPT	10	GEO-FLO
PFA88M	2" x 2" MPT	10	NUPI ELOFIT



Fusion Adapters, FPT

Geo-Flo PN	Description ¹	Order Min/Mult ²	Brand ^{3,4}
PFA31F	3/4" x 1/4" FPT	25	GEO-FLO
PFA32F	3/4" x 1/2" FPT	25	GEO-FLO
PFA41F	1" x 1/4" FPT	25	GEO-FLO
PFA42F	1" x 1/2" FPT	25	GEO-FLO
PFA44F	1" x 1" FPT	25	NUPI ELOFIT
PFA54F	1-1/4" x 1" FPT	25	NUPI ELOFIT
PFA55F	1-1/4" x 1-1/4" FPT	25	NUPI ELOFIT
PFA88F	2" x 2" FPT	10	NUPI ELOFIT



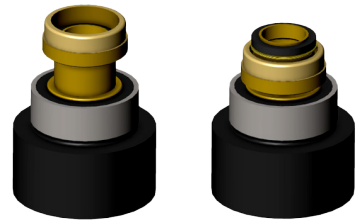
Fusion Adapters, Hose Barb

Geo-Flo PN	Description ¹	Order Min/Mult ²	Brand ^{3,4}
PFA34HB	3/4" x 1" Hose Barb	25	GEO-FLO
PFA44HB	1" x 1" Hose Barb	25	GEO-FLO
PFA54HB	1-1/4" x 1" Hose Barb	25	GEO-FLO
PFA64HB	1-1/2" x 1" Hose Barb	10	GEO-FLO



Fusion Adapters, Swivel

Geo-Flo PN	Description ¹	Order Min/Mult ²	Brand ^{3,4}
PFA34MS	3/4" x 1" MPS	25	GEO-FLO
PFA34WF	3/4" x 1" Swivel Female	25	GEO-FLO
PFA44WF	1" x 1" Swivel Female	25	GEO-FLO
PFA4MS	1" x 1" MPS	25	GEO-FLO
PFA54WF	1-1/4" x 1" Swivel Female	25	GEO-FLO
PFA64WF	1-1/2" x 1" Swivel Female	10	GEO-FLO





Fusion Couplings			
Geo-Flo PN	Description ¹	Order Min/Mult ²	Brand ^{3,4}
PFC33	3/4" x 3/4"	25	GEO-FLO
PFC43	1" x 3/4"	25	GEO-FLO
PFC44	1" x 1"	25	NUPI ELOFIT
PFC53	1-1/4" x 3/4"	25	Performance/GF Central/ GEO-FLO
PFC54	1-1/4" x 1"	25	GEO-FLO
PFC55	1-1/4" x 1-1/4"	25	GEO-FLO
PFC63	1-1/2" x 3/4"	25	GEO-FLO
PFC64	1-1/2" X 1"	25	GEO-FLO
PFC65	1-1/2" X 1-1/4"	25	GEO-FLO
PFC66	1-1/2" X 1-1/2"	25	NUPI ELOFIT
PFC84	2 x 1"	10	Performance/JM Eagle/ GEO-FLO
PFC85	2" x 1-1/4"	10	GEO-FLO
PFC86	2" x 1-1/2"	10	GF Central/GEO-FLO
PFC88	2" x 2"	10	NUPI ELOFIT
Fusion Tees			
Geo-Flo PN	Description ¹	Order Min/Mult ²	Brand ^{3,4}
PFT333	3/4" x 3/4" x 3/4"	25	GEO-FLO
PFT443	1" x 1" x 3/4"	25	GEO-FLO
PFT444	1" x 1" x 1"	25	NUPI-ELOFIT
PFT533	1-1/4" x 3/4" x 3/4"	25	GEO-FLO
PFT544	1-1/4" x 1" x 1"	25	GEO-FLO
PFT553	1-1/4" x 1-1/4" x 3/4"	25	GEO-FLO
PFT554	1-1/4" x 1-1/4" x 1"	25	GEO-FLO
PFT555	1-1/4" x 1-1/4" x 1-1/4"	25	GEO-FLO
PFT644	1-1/2" x 1" x 1"	10	JM EAGLE
PFT664	1-1/2" x 1-1/2" x 1"	10	GEO-FLO
PFT666	1-1/2"	10	GEO-FLO
PFT853	2 X 1-1/4 X 3/4	10	NUPI ELOFIT
PFT854	2" x 1-1/4" x 1"	10	NUPI ELOFIT
PFT855	2" x 1-1/4" x 1-1/4"	10	GEO-FLO
PFT864	2" X 1-1/2" X 1"	10	NUPI ELOFIT
PFT883	2" X 2" X 3/4"	10	GEO-FLO
PFT884	2" x 2" x 1"	10	GEO-FLO
PFT885	2" x 2" x 1-1/4"	10	GEO-FLO
PFT888	2" x 2" x 2"	10	GEO-FLO

Fusion Tee Adapters			
Geo-Flo PN	Description ¹	Order Min/Mult ²	Brand ^{3,4}
PFTA332F	3/4" x 3/4" x 1/2" FPT	25	GEO-FLO
PFTA442F	1" x 1" x 1/2" FPT	25	GEO-FLO
PFTA4MS2F4	1" MPS x 1/2" FPT x 1"	25	GEO-FLO
PFTA4MS32F	1" MPS x 3/4" x 1/2" FPT	25	GEO-FLO
PFTA4MS42F	1" MPS x 1" x 1/2" FPT	25	GEO-FLO
PFTA551F	1-1/4" x 1-1/4" x 1/4" FPT	25	GEO-FLO
PFTA854M	2" x 1-1/4" x 1" MPT	10	GEO-FLO
PFTA881F	2" x 2" x 1/4" FPT	10	GEO-FLO
PFTA882F	2" x 2" x 1/2" FPT	10	GEO-FLO
PFTA884M	2" x 2" x 1" MPT	10	GEO-FLO
PFTA885M	2" x 2" x 1-1/4" MPT	10	GEO-FLO
Fusion Elbows			
Geo-Flo PN	Description ¹	Order Min/Mult ²	Brand ^{3,4}
PFL33	3/4" x 3/4"	25	GEO-FLO
PFL33S	3/4" x 3/4" Street (U-Bend male)	25	GEO-FLO
PFL43	1" x 3/4"	25	GEO-FLO
PFL44	1" x 1"	25	GEO-FLO
PFL44-45	1", 45°	25	NUPI ELOFIT
PFL44S	1" x 1" Street (U-Bend male)	25	GEO-FLO
PFL53	1-1/4" x 3/4"	25	Performance/GF Central/ GEO-FLO
PFL54	1-1/4" x 1"	25	GEO-FLO
PFL55	1-1/4" x 1-1/4"	25	GEO-FLO
PFL55-45	1-1/4" x 1-1/4", 45°	25	NUPI ELOFIT
PFL55S	1-1/4" x 1-1/4" Street (U-Bend male)	25	GEO-FLO
PFL55UF	1-1/4" x 1-1/4" Street (U-Bend female)	25	GEO-FLO
PFL66	1-1/2" x 1-1/2"	10	GEO-FLO
PFL66-45	1-1/2" x 1-1/2", 45°	10	NUPI ELOFIT
PFL88	2" x 2"	10	GEO-FLO
PFL88-45	2" x 2", 45°	10	NUPI ELOFIT





Fusion Elbow Adapters			
Geo-Flo PN	Description ¹	Order Min/Mult ²	Brand ^{3,4}
PFLA33F	3/4" X 3/4" FPT	25	GEO-FLO
PFLA33M	3/4" X 3/4" MPT	25	GEO-FLO
PFLA34M	3/4" X 1" MPT	25	GEO-FLO
PFLA34MS	3/4" X 1" MPS	25	GEO-FLO
PFLA43M	1" X 3/4" MPT	25	GEO-FLO
PFLA44M	1" X 1" MPT	25	GEO-FLO
PFLA44MS	1" X 1" MPS	25	GEO-FLO
PFLA54M	1-1/4" X 1" MPT	25	GEO-FLO
PFLA54M	1-1/4" X 1-1/4" MPT	25	GEO-FLO
Fusion Header			
Geo-Flo PN	Description ¹	Order Min/Mult ²	Brand ^{3,4}
PH53X3	1-1/4" x (3) 3/4" Outlets	10	GEO-FLO
PH54X3	1-1/4" x (4) 3/4" Outlets	10	GEO-FLO
PH55X3	1-1/4" x (5) 3/4" Outlets	10	GEO-FLO
PH56x3	1-1/4" x (6) 3/4" Outlets	10	GEO-FLO
Fusion Caps			
Geo-Flo PN	Description ¹	Order Min/Mult ²	Brand ^{3,4}
PFP3	Fusion Cap, 3/4"	25	GEO-FLO
PFP4	Fusion Cap, 1"	25	GEO-FLO
PFP5	Fusion Cap, 1-1/4"	25	GEO-FLO
PFP6	Fusion Cap, 1-1/2"	25	GEO-FLO
PFP8	Fusion Cap, 2"	25	GEO-FLO
Fusion Test Caps with Air Valve			
Geo-Flo PN	Description ¹	Order Min/Mult ²	Brand ^{3,4}
PFP3-SCH	3/4" w/ Schrader Valve	10	GEO-FLO
PFP4-SCH	1" w/ Schrader Valve	10	GEO-FLO
PFP5-SCH	1-1/4" w/ Schrader Valve	10	GEO-FLO
PFP8-SCH	2" w/ Schrader Valve	10	GEO-FLO

Notes:

1. GEO-FLO can manufacture or supply fittings not listed in this catalog. Please call Customer Service for items not listed.
2. Items must be ordered in multiples of the values indicated in this column.
3. Items with multiple brands listed indicate we have stock from multiple suppliers. As this stock is depleted, the brand will be GEO-FLO.
4. If you require a specific brand of fitting that is not listed, please call Customer Service.