



SUBMITTAL

**HTX-SERIES**

HYDRONIC EXPANSION TANKS

**Models:** ETN-FX-HTX15 thru ETN-FX-HTX90

**Submittal Sheet No.** ETN-FX-HTX\_\_ **Date:** 2019/12/03

Job Name _____	Submitted By _____	Date _____
Location _____	Approved By _____	Date _____
_____	Order No. _____	Date _____
Engineer _____	Notes _____	
Contractor _____	_____	
Sales Rep. _____	_____	

**Description**

Geo-Flo HTX-Style tanks are non-ASME diaphragm type pre-charged expansion tanks specifically designed for protection of geothermal and hydronic systems. The tank is used for installation to accept expanded hot water in hydronic systems, keeping system pressures below relief valve settings, or to accept fluid during system pressurization providing additional capacity for geothermal systems, keeping the system pressures above critical levels. The water is contained in a steel water reservoir with a double-clamped diaphragm separating the stored water from the air cushion.

**Construction**

Shell: Drawn steel with epoxy finish  
 Diaphragm: Butyl rubber  
 System Connection: 3/4" or 1/2" MPT

**Performance Limitations**

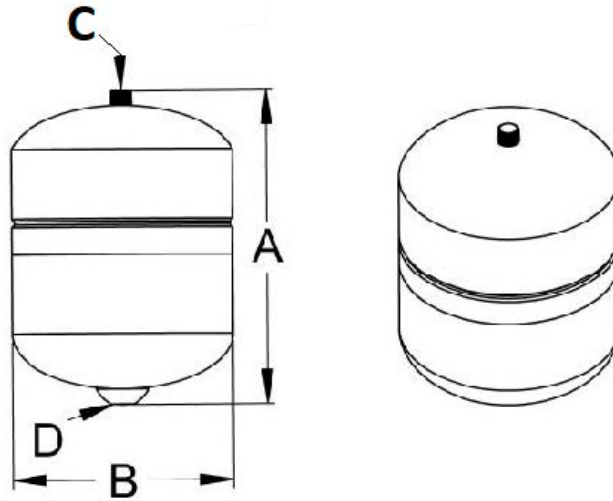
Maximum Working Temperature: 240°F  
 Maximum Working Pressure: 100 PSI

Part Number	Tank Volume (Gallons)	Tagging Information	Quantity
ETN-FX-HTX15	2.1		
ETN-FX-HTX30	4.8		
ETN-FX-HTX60	6		
ETN-FX-HTX90	15		

**Typical Specification**

Furnish and install, as shown on plans, a \_\_\_\_\_gallon \_\_\_\_\_" diameter X \_\_\_\_\_" (high) pre-charged steel expansion tank with heavy-duty butyl bladder. The tank shall have NPT system connections and a 0.302"-32 charging valve connection (standard tire valve) to facilitate the on-site charging of the tank to meet system requirements.

Each tank shall be Geo-Flo model number ETN-FX-HTX\_\_\_\_\_or approved equal.



ETN-FX-HTX15 through ETN-FX-HTX90

### Dimensions & Weights

Part Number	Dimensions In Inches				Approx Shipping Weight (lbs)
	A	B	System Connection	Charging Valve	
			C	D	
ETN-FX-HTX15	11.6	8	1/2" MPT	Standard	5.5
ETN-FX-HTX30	14.5	11		Schrader/Tire	10
ETN-FX-HTX60	17.6	11.4		Valve	11.5
ETN-FX-HTX90	20.8	16	3/4" MPT	(0.302" -32NC)	28

### Notes

- Tanks are factory pre-charged at 12 psi and field adjustable.