



Submittal Data

SuperBrute XL UPS60-150 Double Pump Module



Project Name:

Contractor:

Engineer:

Order Number:

Additional Information:

Technical Data

Circulator(s): Grundfos Series UPS60-150, 3-Speed, cast iron pump volute
 Cabinet: Powder-coated steel
 Insulation: CFC-free, polyurethane foam
 Valves: 2" Full-port, 3-Way, 4-Position flushing and service valve, Forged Brass, C37700, NBR seals

Max. Fluid Temperature: 140° F
 Min. Fluid Temperature: 15° F
 Max. Operating Pressure: 145 psig
 Min. Operating Pressure: 3 psig
 Ambient Air Temp: 33° to 100° F

Electrical Data

Motor: 208-230 Volt, 60 Hz, single phase, 2-pole, ETL listed, internal thermal overload protection, insulation class H

Capacitor: 10 µF/400 V

Model	MAX HP* (3 Speed)	Speed	RPM	Amps*	Watts*
UPS60-150, 1 X 208-230 V	1/6	3	3400	1.7	370
		2	3300	1.6	335
		1	3100	1.3	265

*Data is maximum per pump

Approved Antifreeze

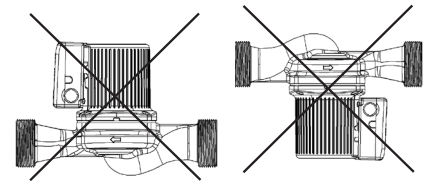
Ethanol
 Methanol
 Propylene Glycol
 Environol™

Mounting

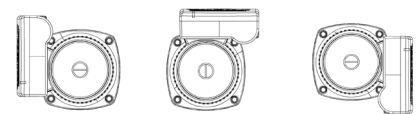
Module can be installed in both horizontal and vertical lines.

Module must be installed with the pump's motor shaft horizontal.

Do not install module with the pump's motor shaft vertical.



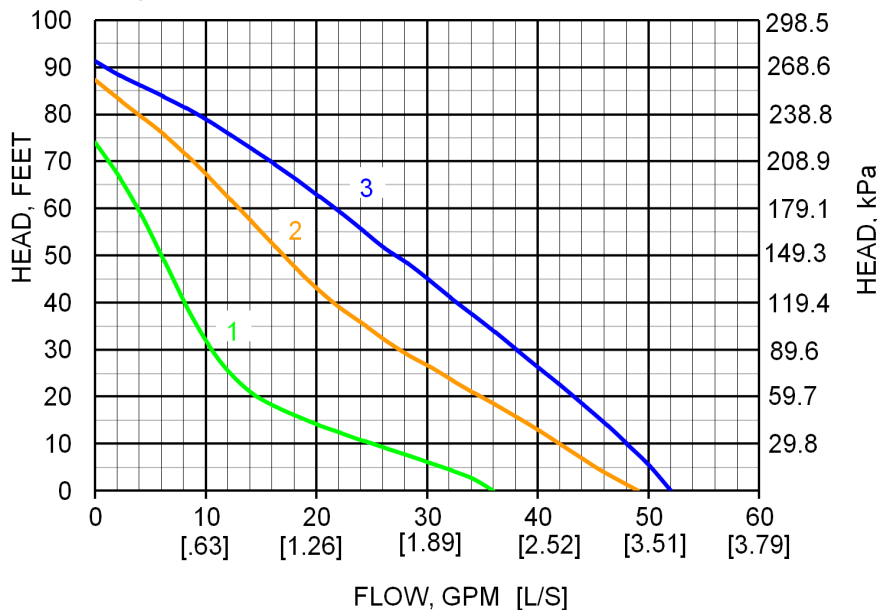
The terminal box should be located in one of the following orientations:



Module should be mounted indoors only.

Pump Performance Curve

SuperBrute XL UPS60-150, Two in Series



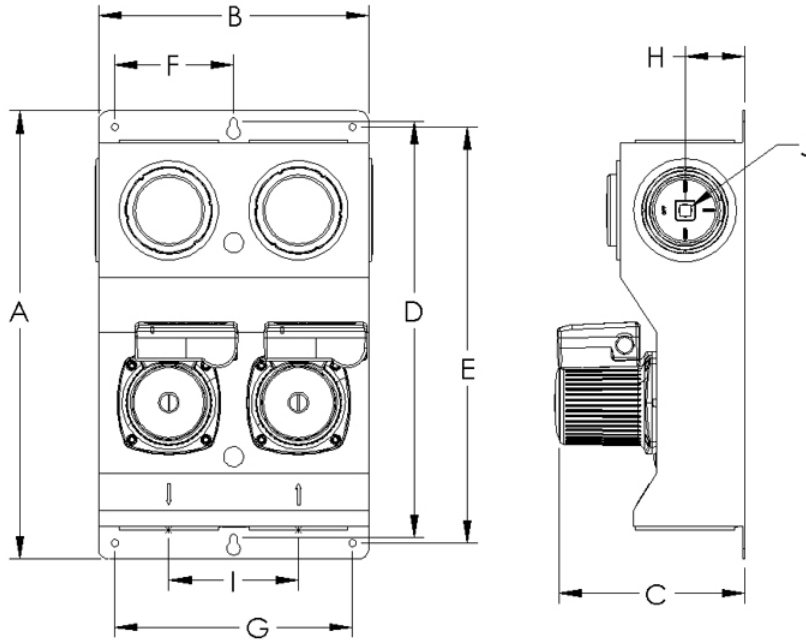
Curves are manufacturer's reported averages using water at 68° F with both pumps set on same speed.

Environol™ is a trademark of WFI International, Inc.



GEO-FLO PRODUCTS CORPORATION
 905 Williams Park Drive
 Bedford, IN 47421
 Phone: 812-275-8513 Fax: 812-275-8523
 www.geo-flo.com

Dimensional Data SuperBrute XL UPS60-150 Double Pump Module



	A	B	C	D	E	F	G	H	I	J	WEIGHT	
Inches	20.75	12.5	8.5	19.25	19.25	5.5	11.0	2.75	6	1/2" DRIVE SOCKET	LBS	KG
CM	52.7	31.75	21.6	48.9	48.9	14	27.9	7	15.24		50	23

Fluid connections require your choice of Flo-Link XL Fittings.
Module includes two 5/16" hex head lag screws.

Flo-Link XL™ Adapter Fittings

Flo-Link XL adapter sets (2 fittings per set) consist of brass, aluminum or HDPE fittings, brass retaining nuts, NBR o-ring seals and stainless steel retaining rings. The Flo-Link XL adapters are pushed into the female ports on the module and secured by hand-tightening the nut.



3318	2" FPT x Flo-Link XL
3320	1-1/2" FPT x Flo-Link XL
3380	1" Cam x Flo-Link XL
3486	1.5" Cam x Flo-Link XL
3395	2" Copper SWT x Flo-Link XL
3463	1-1/4" Socket Fusion x Flo-Link XL
3464	1-1/2" Socket Fusion x Flo-Link XL
3465	2" Socket Fusion x Flo-Link XL
3397	2" Hose Barb x Flo-Link XL
3485	Garden Hose Female x Flo-Link XL

GEO-FLO

GEO-FLO PRODUCTS CORPORATION
905 Williams Park Drive
Bedford, IN 47421
Phone: 812-275-8513 Fax: 812-275-8523
www.geo-flo.com

Note: Installation Hose kits are available.