



[www.geo-flo.com](http://www.geo-flo.com)

Geothermal and  
Hydronics Specialists

## Installation, Operating, and Maintenance Manual



Part # 3619  
Rev. 23JUL2015

Geo-Booster™

Geo-Flo Products Corporation  
905 Williams Park Drive  
Bedford, Indiana 47421, U.S.A.

3619-07-23-15

Main Number: 812-275-8513  
Toll Free: 800-784-8069  
Fax: 888-477-8829



# Table of Contents

General Description . . . . .	1
Parts List . . . . .	1
Installation . . . . .	1
New Ground Loop . . . . .	1
Retrofit . . . . .	4
Temporary. . . . .	5
Troubleshooting . . . . .	7

## NOTES:

This guide provides the installer with instructions specific to the Geo-Booster. Please refer to your heat pump manufacturer’s instructions or IGSHPA guidelines for additional detailed flushing, purging, and installation information. Please review the entire I.O.M. document before proceeding with the installation.

Geo-Flo Products Corporation is continually working to improve its products. As a result, the design and specifications of products in this document may change without notice and may not be as described herein. For the most up-to-date information, please visit our website, or contact our customer service department. Statements and other information contained in this document are not express warranties and do not form the basis of any bargain between the parties, but are merely Geo-Flo’s opinion or commendation of its products.

## GENERAL DESCRIPTION

The Geo-Booster is an active loop pressurization system that eliminates issues with low loop pressures in closed-loop geothermal ground loop or hydronic systems. The Geo-Booster will maintain a minimum loop pressure of 35 psig on the loop system. The Geo-Booster includes a pump with a built-in pressure switch factory set at 35 psig, and a check valve to prevent back-flow into the one-gallon tank. The sealing cap ensures a closed system, prevents loop fluid evaporation, and provides vacuum relief allowing the fluid to be pumped from the tank.

## PARTS LIST

- (1) Geo-Booster system with tank, cap, pump, and power supply (assembled)
- (9') Flexible braided hose
- (1) 3/8" Check valve with 5" flexible braided hose (assembled)
- (2) 1/4" x 2-1/2" Lag screws
- (3) Hose clamps
- (2) 1/4" Brass Nipples
- (1) 1/4" Brass Tee
- (1) 1/4" Brass Ball Valve



## INSTALLATION

The Geo-Booster can be mounted in any available indoor location in or around the mechanical room. The Geo-Booster includes over nine feet of hose which allows flexibility in mounting the system. If the unit needs to be located further than nine feet from the plumbing access point additional hose can be added or alternative pumping methods can be employed provided that the materials are compatible with the antifreeze used in the loop. The Geo-Booster can be plumbed into any point of the loop but is preferably located at the lowest pressure point in the system which is normally the return pipe from the ground loop just before the circulator pump(s).

### Procedure-New Ground Loop

This procedure assumes the Geo-Booster is being installed in a new ground loop installation that will be flushed and purged after the Geo-Booster installation.

1. Mount the Geo-Booster to a well supported structure such as a framed or concrete/masonry wall using appropriate mounting hardware (Figure 1).

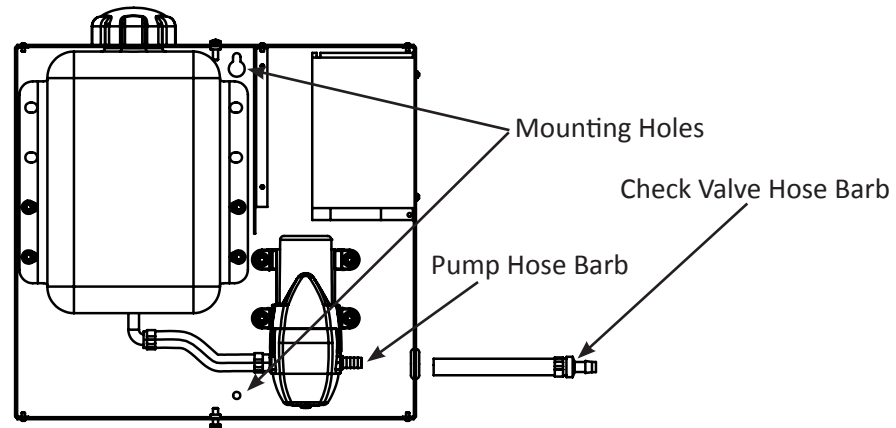


Figure 1: Geo-Booster with cover removed

2. Install the check valve by inserting the end of the flexible braided hose with the check valve attached through the rubber grommet in the right side of the cabinet (Figure 1) and securing to the pump hose barb with a hose clamp. Attach the long hose to the check valve hose barb fitting using a hose clamp. Ensure the hose will reach the intended plumbing point in the loop system.
3. Plumb the other end of the hose into the ground loop piping system on the return pipe before the flow center or circulator. The included ball valve should be installed at the desired plumbing point to allow isolation of the Geo-Booster. See Figure 2 for one plumbing method.

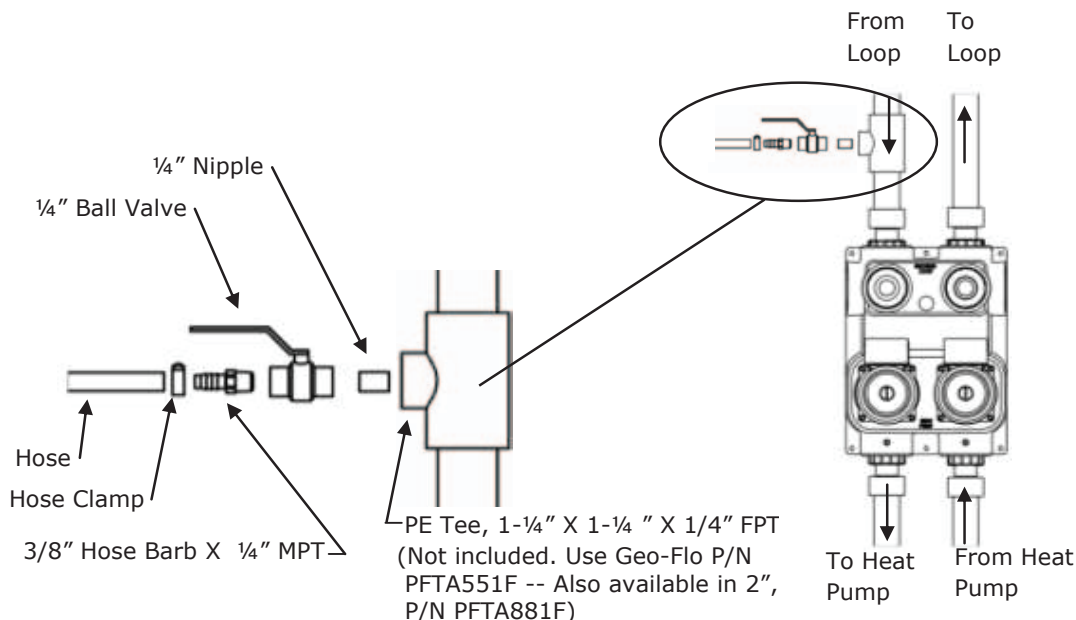


Figure 2: Geo-Booster installation with plumbing point above flow center



**WARNING: OPEN THE MAIN POWER SUPPLY DISCONNECT SWITCH AND SECURE IT IN AN OPEN POSITION PRIOR TO PERFORMING ELECTRICAL WORK. VERIFY THAT POWER HAS BEEN DISCONNECTED PRIOR TO WIRING THE GEO-BOOSTER. FAILING TO SECURE THE ELECTRICAL SUPPLY COULD RESULT IN SERIOUS INJURY OR DEATH.**

4. Wire the power supply using 120VAC or 230VAC single phase power following all applicable local codes (see Figure 3). The power supply can be wired in series with a power disconnect switch located adjacent to the unit if desired. Another option is to wire the power supply using the same contacts in the heat pump used for the circulator pumps. This method ensures that the Geo-Booster will only operate when the heat pump runs. The installer must verify that the heat pump's circuit breaker can handle the load.

Connect L to the black wire, connect N to the white wire, and the ground symbol to the green (or bare) wire. The power supply will accept 120VAC or 230VAC.

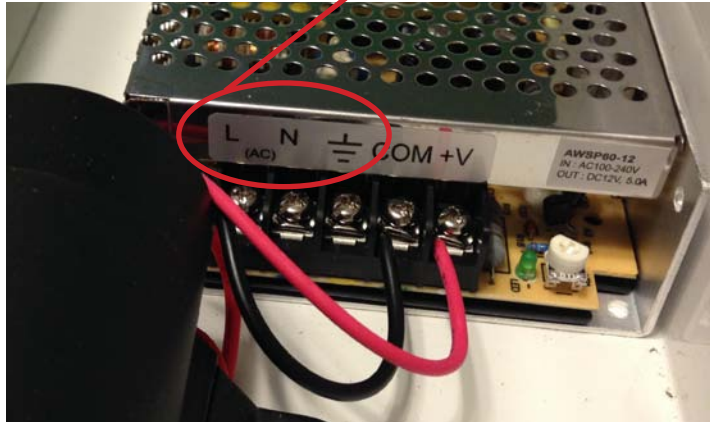


Figure 3: Geo-Booster power wiring

5. Fill the tank with loop fluid.



**WARNING: ONLY USE PREMIXED ANTIFREEZE IN A NON-FLAMMABLE STATE. FAILURE TO OBSERVE SAFETY PRECAUTIONS MAY RESULT IN FIRE, INJURY, OR DEATH.**

6. Power on the pump. Allow the pump to run until all air has been purged from the hose. Close the ball valve and the pump will automatically shut off when the pressure reaches 35 psig.
7. Flush the ground loop system using a quality flush cart and acceptable procedures.
8. Open the ball valve on the Geo-Booster.
9. Top-off the tank with loop fluid and replace the cap.

**Optional:** Remove the handle on the ball valve to prevent tampering.

## Procedure-Retrofit Installation

This procedure assumes the Geo-Booster is being installed in an existing geothermal heat pump system between the flow center and the heat pump in a situation where the installer does not wish to flush the entire ground loop with a flush cart after the Geo-Booster installation. This procedure will require flushing the heat pump unit side of the system which is typically accomplished without a flush cart by using a garden hose, adapter fittings, and the domestic water source.

1. Mount the Geo-Booster to a well supported structure such as a framed or concrete/masonry wall using appropriate mounting hardware (Figure 1).
2. Install the check valve by inserting the end of the flexible braded hose with the check valve attached through the rubber grommet in the right side of the cabinet (Figure 1) and securing to the pump hose barb with a hose clamp. Attach the long hose to the check valve hose barb fitting using a hose clamp. Ensure the hose will reach the PT plug in the elbow on the heat pump.
3. Remove PT plug from elbow on the lowest pressure side of the heat pump. This is generally the “water out” side. Finalize plumbing connections using the supplied fittings (Figure 4).

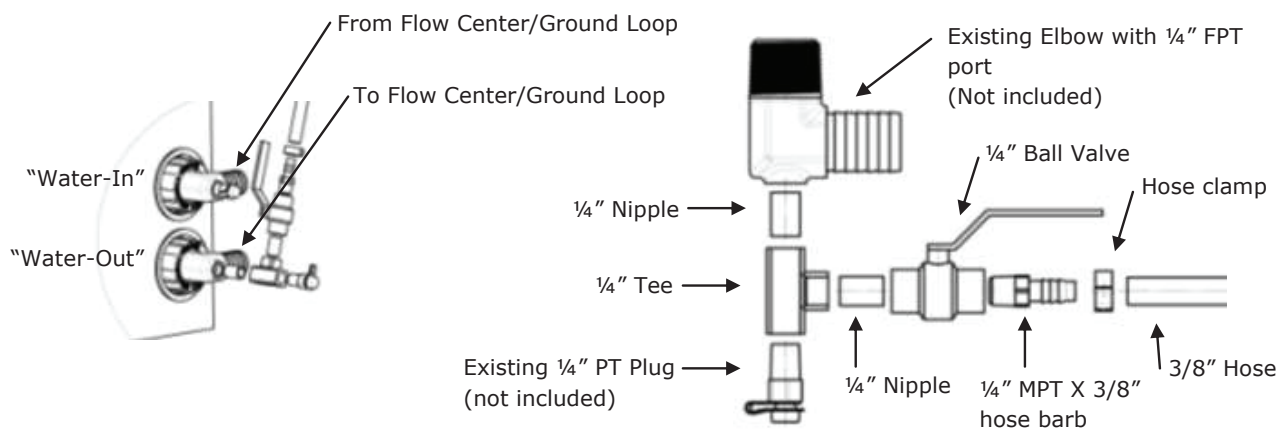


Figure 4: Geo-Booster installation between flow center and geothermal heat pump



**WARNING: OPEN THE MAIN POWER SUPPLY DISCONNECT SWITCH AND SECURE IT IN AN OPEN POSITION PRIOR TO PERFORMING ELECTRICAL WORK. VERIFY THAT POWER HAS BEEN DISCONNECTED PRIOR TO WIRING THE GEO-BOOSTER. FAILING TO SECURE THE ELECTRICAL SUPPLY COULD RESULT IN SERIOUS INJURY OR DEATH.**

4. Wire the power supply using 120VAC or 230VAC single phase power following all applicable local codes (see Figure 3). The power supply can be wired in series with a power disconnect switch located adjacent to the unit if desired. Another option is to wire the power supply using the same contacts in the heat pump used for the circulator pumps. This method ensures that the

Geo-Booster will only operate when the heat pump runs. The installer must verify that the heat pump's circuit breaker can handle the load.

5. Fill the tank with loop fluid.



**WARNING: ONLY USE PREMIXED ANTIFREEZE IN A NON-FLAMMABLE STATE. FAILURE TO OBSERVE SAFETY PRECAUTIONS MAY RESULT IN FIRE, INJURY, OR DEATH.**

6. Power on the Booster's pump. Allow the pump to run until all air has been purged from the hose and then close the ball valve. The pump will continue to run until it reaches 35 psig.
7. Flush the heat pump side of the system. This is accomplished with a garden hose, adapter fittings, and the domestic water source. When flushing is complete return the flow center's valve to the operating position.
8. Open the Geo-Booster's ball valve. The Booster's pump will run until the system pressure reaches 35 psig.
9. Top-off the tank with loop fluid and replace the cap.

**Optional:** Remove the handle on the ball valve to prevent tampering.

### **Procedure-Temporary Installation**

This procedure assumes the Geo-Booster is being installed in an existing geothermal heat pump system between the flow center and the heat pump in a situation where the installer does not wish to flush any portion of the system. This method requires the least installation time but due to the potential of a leak at the PT plug it should be considered temporary. The installation should be made permanent when other service work such as replacing a circulator is performed.

1. Mount the Geo-Booster to a well supported structure such as a framed or concrete/masonry wall using appropriate mounting hardware (Figure 1).
2. Install the check valve by inserting the end of the flexible braided hose with the check valve attached through the rubber grommet in the right side of the cabinet (Figure 1) and securing to the pump hose barb with a hose clamp. Attach the long hose to the check valve hose barb fitting using a hose clamp. Ensure the hose will reach the PT plug in the elbow on the heat pump.
3. Plumb the other end of the hose as shown in Figure 5.



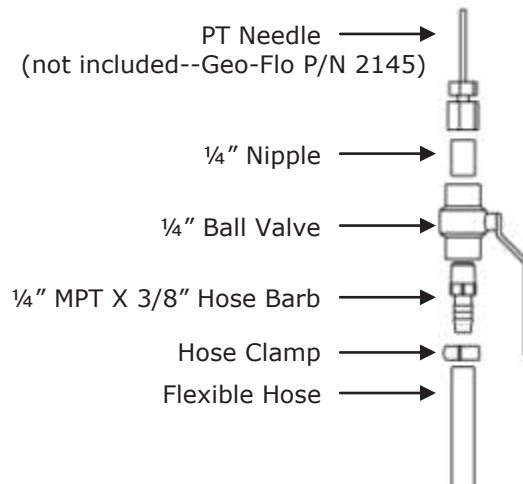


Figure 5: Assembly required for temporary installation of the Geo-Booster into an existing PT port



**WARNING: OPEN THE MAIN POWER SUPPLY DISCONNECT SWITCH AND SECURE IT IN AN OPEN POSITION PRIOR TO PERFORMING ELECTRICAL WORK. VERIFY THAT POWER HAS BEEN DISCONNECTED PRIOR TO WIRING THE GEO-BOOSTER. FAILING TO SECURE THE ELECTRICAL SUPPLY COULD RESULT IN SERIOUS INJURY OR DEATH.**

4. Wire the power supply using 120VAC or 230VAC single phase power following all applicable local codes (see Figure 3). The power supply can be wired in series with a power disconnect switch located adjacent to the unit if desired. Another option is to wire the power supply using the same contacts in the heat pump used for the circulator pumps. This method ensures that the Geo-Booster will only operate when the heat pump runs. The installer must verify that the heat pump's circuit breaker can handle the load.
5. Fill the tank with loop fluid.



**WARNING: ONLY USE PREMIXED ANTIFREEZE IN A NON-FLAMMABLE STATE. FAILURE TO OBSERVE SAFETY PRECAUTIONS MAY RESULT IN FIRE, INJURY, OR DEATH.**

6. Power on the Booster's pump while directing the hose into the top of the Geo-Booster's tank. Allow the pump to run until all air has been purged from the hose and then close the ball valve. The pump will continue to run until it reaches 35 psig.
7. Remove the cap from the PT Plug in the elbow on the lowest pressure side of the heat pump. This is generally the "water out" side.
8. Insert the PT needle into the plug and open the ball valve. The Booster's pump will run until the system pressure reaches 35 psig.

9. Top-off the tank with loop fluid and replace the cap.

**Optional:** Remove the handle on the ball valve to prevent tampering.

**Note:** Due to the potential of a leak at the PT plug this installation should be considered temporary. The installation should be made permanent when other service work such as replacing a circulator is performed.

## TROUBLESHOOTING

The following table relates to issues with the Geo-Booster only. Please consult your manufacturer's flow center and heat pump installation manual for additional troubleshooting information.

Problem	Possible Cause	Solution
Pump runs continuously	Tank empty	Isolate Booster by closing ¼" valve; Add fluid to tank; Disconnect and purge air from hose; Open valve.
	Major leak in loop system	Locate and repair loop
Pump does not run	No input power	Check input power (AC) and/or breaker/switch in series with Booster. Replace defective component.
	Power supply defective	Check output (DC) of Booster power supply. Replace power supply if necessary.
	Isolation ball valve closed	Open valve
	System pressure is at 35 psig	No problem
Pressure gauge reads <35 psig	Defective gauge	Replace gauge
	Pump not running	See "Pump does not run"
Tank requires filling very often	Leak in loop system	Locate and repair loop

# Manual Updates Table

Date	Description of Changes	Pages
23JUL2015	Updated picture to new black cabinet	Cover, page 1
	Updated parts listed (new check valve assembly)	1
	Updated Figure 1 to include to flex hose with check valve	2
	Updated Figure 2 to simplify piping	2
	Updated verbiage to reflect changes to check valve assembly	2, 4, 5
03JUL2014	Updated manual to new I.O.M. format	All
	Added Figure 3 (photo of wiring terminals)	3
09NOV2011	First published	All



**Installation, Operating, and Maintenance Manual**  
**Geo-Booster™**

**[www.geo-flo.com](http://www.geo-flo.com)**

**Members of ...**



**Geo-Flo Products Corporation**  
**905 Williams Park Drive**  
**Bedford, Indiana 47421, U.S.A.**

**Main Number: 812-275-8513**  
**Toll Free: 800-784-8069**  
**Fax: 888-477-8829**

Geo-Flo Products Corporation is continually working to improve its products. As a result, the design and specifications of products in this document may change without notice and may not be as described herein. For the most up-to-date information, please visit our website, or contact our customer service department at [jmoan@geo-flo.com](mailto:jmoan@geo-flo.com). Statements and other information contained in this document are not express warranties and do not form the basis of any bargain between the parties, but are merely Geo-Flo's opinion or commendation of its products.