



Submittal Data *Geo-Prime Tank*



Project Name:
Contractor:
Engineer:
Order Number:
Additional Information:

Description

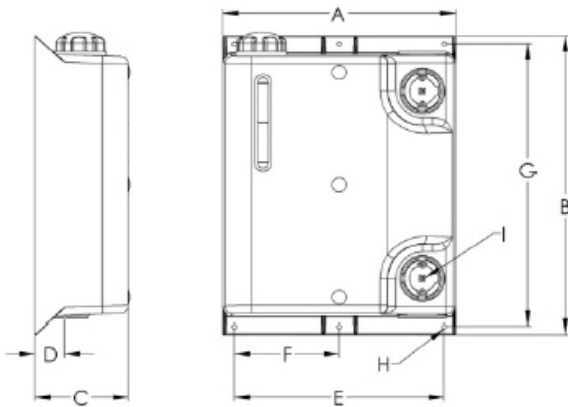
The *Geo-Prime Tank* is designed to provide the necessary suction pressure for a flow center circulator pump via a standing column of fluid. The *Geo-Prime Tank* also performs air-elimination and functions as an expansion tank. The product includes two valves for isolating the fluid reservoir during flushing of the ground loop system. The sealing cap provides pressure and vacuum relief.

Specifications and Dimensions

Cabinet: High Impact Polystyrene
Tank/Interior plumbing: High Density Polyethylene (HDPE)
Valves: Engineered composite plastic with stainless steel hardware and nitrile (NBR) seals
Insulation: CFC-free, polyurethane foam

Approved Antifreeze

Ethanol
Methanol
Propylene Glycol
Environol™



Max. Fluid Temperature: 120° F
Max. Pressure: 13 psig

Tank Volume	
Gallons	Liters
2.5	9.5

	A	B	C	D	E	F	G	H	I	Weight	
Inches	15-1/4	19-1/2	6-1/8	2	13-3/4	6-7/8	18-1/2	1/4	3/8" Drive Socket	LBS	KG
CM	38.8	49.5	15.6	5.1	35.0	17.5	47.0	0.6		10	4.5

Fluid Connections: Flo-Link Style Female Valve Ports

(1) Flo-Link Valve Adapter is included to allow connection to a Flo-Link flow center. Alternative Flo-Link connections should be specified separately if required.

All dimensions and weight are approximate.

Installation

When installed as a non-pressurized system, the *Geo-Prime Tank* must be mounted above the pump or flow center at a sufficient height to ensure the required suction head pressure of the circulator pump is met. It is critical for the *Geo-Prime Tank* to be plumbed into the suction side of the pump or flow center.



GEO-FLO PRODUCTS CORPORATION
905 Williams Park Drive
Bedford, IN 47421
Phone: 812-275-8513 Fax: 812-275-8523
www.geo-flo.com