



Engineered Solutions • Making Geothermal Easier

Submittal Data Geo-Booster



Project Name: _____

Contractor: _____

Engineer: _____

Order Number: _____

Additional Information: _____

Description

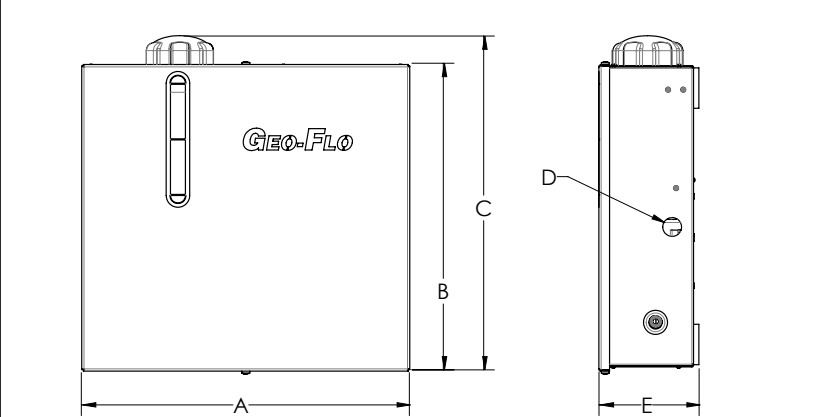
The *Geo-Booster* is an active loop pressurization system that maintains a minimum loop pressure of 25 psig [172 kPa], and eliminates issues associated with low pressure in geothermal ground loops. The *Geo-Booster* includes a pump with a built-in pressure switch, factory set at 25 psig [172 kPa], +/- 3 psig [21 kPa], and a check valve to prevent back-flow into the reservoir. Switch ON setting is 25 psig [172 kPa]; OFF setting is 35 psig [241 kPa]; ON setting is adjustable. The sealing cap ensures a closed system, prevents loop fluid evaporation, and provides vacuum relief allowing the fluid to be pumped from the reservoir.

Specifications and Dimensions

Cabinet:	Powder Coated Steel
Tank:	High Density Polyethylene
Pump:	Self-priming, Permanent Magnet Motor, 12VDC, Polypropylene body, Built-in pressure switch;
Power Supply:	Switching, Enclosed, Input: 85-264VAC, 1.3A max, 47-63 Hz; Output: 12VDC, 5A, 60W,
Fuse:	4A, Fast Acting, 5x20 mm
Valves/Fittings:	Brass

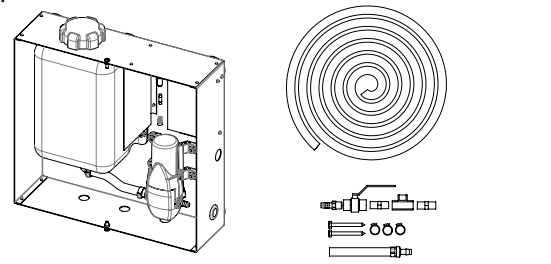
Approved Antifreeze / Temperatures

Ethanol/Water
Methanol/Water
Propylene Glycol/Water
Max. Fluid Temp.: 110°F [43°C]
Operating Temp.: 14 to 140°F [-10 to 60°C]
Operating Humidity: 10 to 95% (non- condensing)



Electrical Input

Voltage	115 V	230 V
Standby Amps	30 mA	15 mA
Typical Running Amps	270 mA	135 mA



	A	B	C	D	E	WEIGHT	
Inches	15-3/8	14-3/8	15-5/8	7/8	4-5/8	LBS	KG
CM	39	36.4	40	2.2	11.9	17.1	7.8

Tank Volume	
Gallons	Liters
1	3.8

Installation

The *Geo-Booster* includes approximately nine feet of flexible 3/8" braided poly hose, two 1/4" brass nipples, one 1/4" brass tee, one 1/4" brass ball valve, one 3/8" brass hose barb x 1/4" MPT, two hose clamps, and two 1/4" lag screws. The *Geo-Booster* can be plumbed into any point of the loop but is preferably located at the lowest pressure point in the system which is normally the return pipe from the ground loop just before the circulator pump. The *Geo-Booster* should be installed by approved personnel as required by local, state, and/or national codes.



GEO-FLO PRODUCTS CORPORATION
905 Williams Park Drive
Bedford, IN 47421
Phone: 812-275-8513 Fax: 812-275-8523
www.geo-flo.com