



## Submittal Data

FLV Series Variable Speed Pressurized Flow Center, Single Pump



Project Name:

Contractor:

Engineer:

Order Number:

Additional Information:

## Technical Data

Circulator: Grundfos Magna GEO 32-140 variable speed  
 Cabinet: High Impact Polystyrene plastic  
 Insulation: CFC-free, polyurethane foam  
 Valves: 1" Full-port, 3-Way, 4-Position flushing and isolation/service valve, Brass body and spool, NBR seals, stainless steel retaining ring.

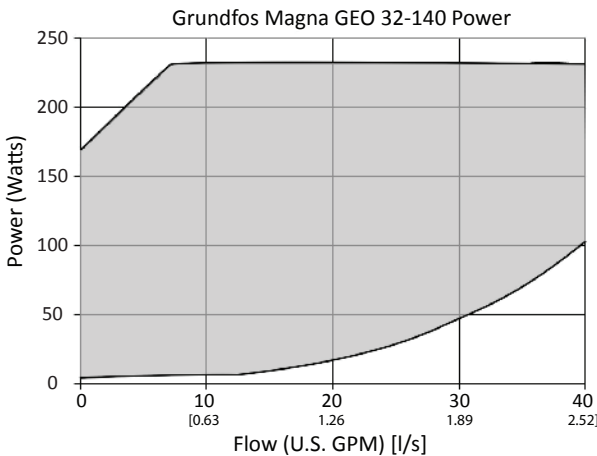
Max. Fluid Temperature: 140°F [60°C]  
 Min. Fluid Temperature: 20°F [-7°C]  
 Max. Oper. Press.: 145 psi [1 Mpa]  
 Min. Operating Press.: 1.3 psi [9 kPa]  
 Max. Ambient Air Temp: 104°F [40°C]

## Electrical and Power Data

Motor: 208-230V, 50/60 Hz, single phase, 2-pole, ETL<sub>C/US</sub> approved (meets UL and CSA requirements), electronically protected, insulation class F, 0.09 to 1.7 Amps (at 230V)

## Approved Antifreeze

Propylene Glycol  
 Ethanol  
 Methanol



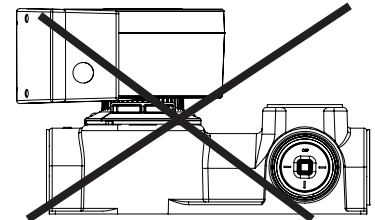
NOTES: The Magna GEO (variable speed) pump adjusts speed (when used with controller) to maintain flow rate or temperature difference. For Watts based upon a specific flow rate and pressure drop, go to [www.geo-flo.com](http://www.geo-flo.com), and use the pump sizing calculator.

## Mounting

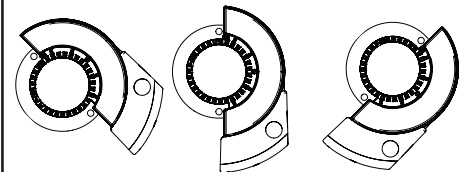
**Flow Center is designed for indoor installation only.**

Flow Center must be installed with the pump's motor shaft horizontal.

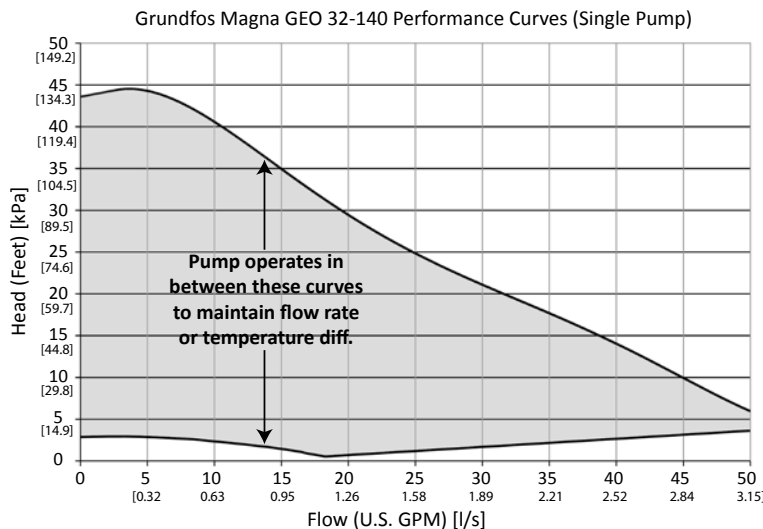
Do not install flow center with the pump's motor shaft vertical.



The terminal box should be located in one of the following orientations:



## Pump Performance Curves

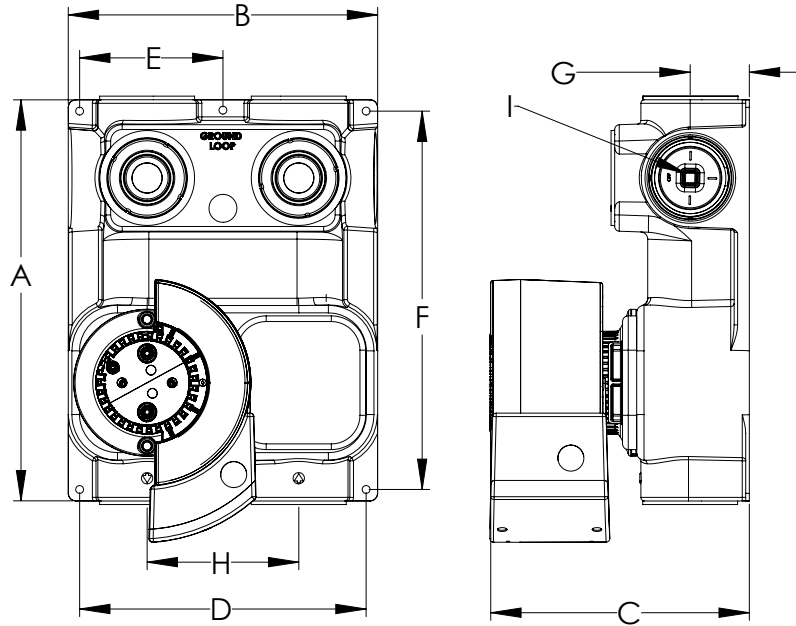


Curves are manufacturer's reported averages using water at 68°F [20°C].



GEO-FLO PRODUCTS CORPORATION  
 905 Williams Park Drive  
 Bedford, IN 47421  
 Phone: 812-275-8513 Fax: 812-275-8523  
[www.geo-flo.com](http://www.geo-flo.com)

## Dimensional Data



	A	B	C	D	E	F	G	H	I	WEIGHT	
Inches	13-1/4	10-3/16	8-1/2	9-7/16	4-3/4	12-1/2	2	5	3/8" DRIVE SOCKET	LBS	KG
CM	33.6	25.9	21.6	24.0	12.0	31.7	5.0	12.7		26	12

Fluid connections are Flo-Link™ double O-ring style. Transition fittings are not included with the flow center packaging. Typically, PE fusion x Flo-Link is used on the ground loop connections. A Geo-Flo hose kit designed for Flo-Link connections includes transition fittings for heat pump connections.

### NOTES:

1. Dimensional data provided for informational purposes and is rounded to nearest 1/16".
2. Metric data is a simple conversion of imperial data and should not be considered more accurate.

# GEO-FLO

GEO-FLO PRODUCTS CORPORATION  
 905 Williams Park Drive  
 Bedford, IN 47421  
 Phone: 812-275-8513 Fax: 812-275-8523  
[www.geo-flo.com](http://www.geo-flo.com)