



Engineered Solutions • Making Geothermal Easier

### Submittal Data

#### Flo-Link XL™ Flush Valve in Insulated Cabinet, 2" Double O-ring

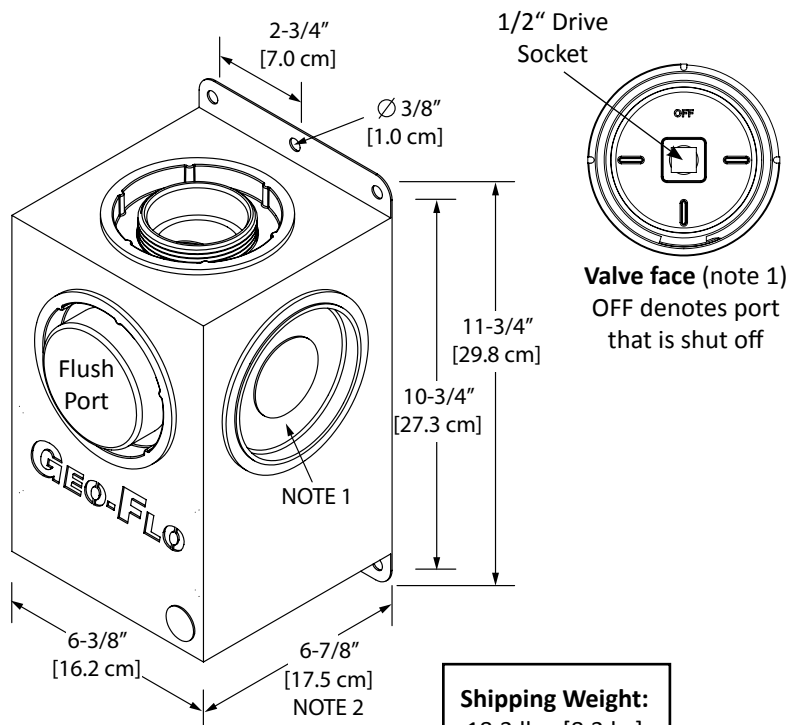


Project Name:		Representative:
Contractor:		Engineer:
Ref/P.O.#:		Date:
Submitted by:		Date:
<u>Qty:</u>	<u>Part #:</u>	<u>Description</u>

### Technical Data

Description:	2" Flo-Link XL flush valve provides connections for flushing/purging air from the loop piping system, and also provides isolation to aid in pump replacement. Typical, two valves per ground loop.
Connections:	Flo-Link XL 2" double O-ring (requires Flo-Link XL adapters -- see examples, below)
Cabinet:	Powder-coated steel
Insulation:	CFC-free, polyurethane foam
Valve:	2" full port, 3-way, 4-position flushing and service valve, forged brass, C37700, NBR seals
Approved Antifreeze:	Propylene glycol, ethanol, methanol
Max. Fluid Temperature:	140°F [60°C]
Max. Operating Pressure:	145 psi [6.9 kPa]

### Dimensional Data



### Example Flo-Link XL Adapters\* (one set required for each valve)



#### Flushing Adapters

Left: 1" CAM adapter set for flush cart hoses (part # 3380)

Right: 1-1/2" CAM adapter set for flush cart hoses (part # 3486)



#### Piping Adapters

Left: 2" HDPE fusion adapter set (part # 3465)

Right: 2" FPT adapter set (part # 3318)

\*Visit [www.geo-flo.com](http://www.geo-flo.com) for other adapters.

#### NOTES:

1. Shown with cover in place. See drawing to the right for details on valve face.
2. Dimension is with flush port cap (front) in place.
3. Dimensional data provided for informational purposes and is rounded to the nearest 1/16". Metric data is a simple conversion of imperial data and should not be considered more accurate.



GEO-FLO PRODUCTS CORPORATION  
 905 Williams Park Drive  
 Bedford, Indiana 47421 U.S.A.  
 Phone: 812-275-8513 Fax: 812-275-8523  
[www.geo-flo.com](http://www.geo-flo.com)